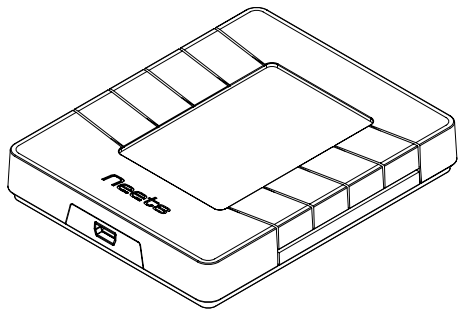


neets



Installation guide

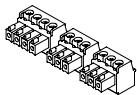
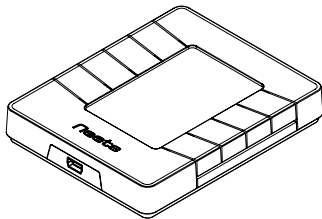
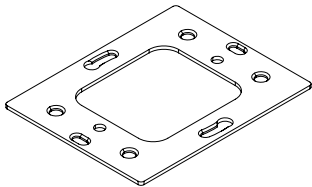
Neets Control - UniForm

Thank you!

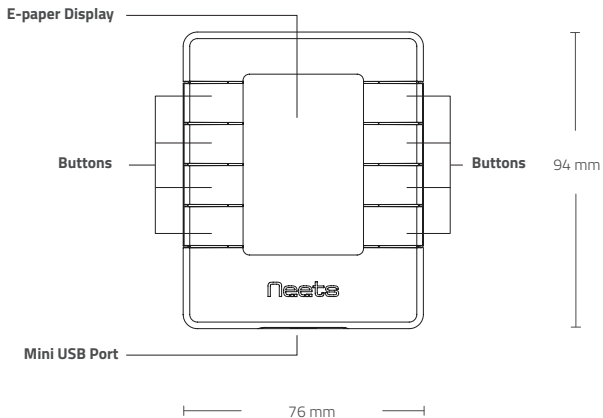
Thank you for including the
Needs Control - UniForm as
part of your user experience
strategy.

For specifications, go to:
www.neets.dk/uniform

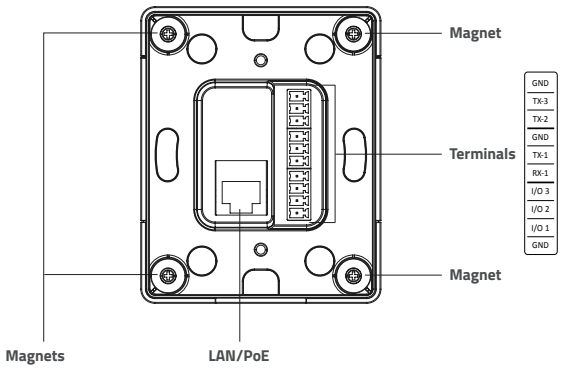
Included in the box



Front of controller



Back of controller

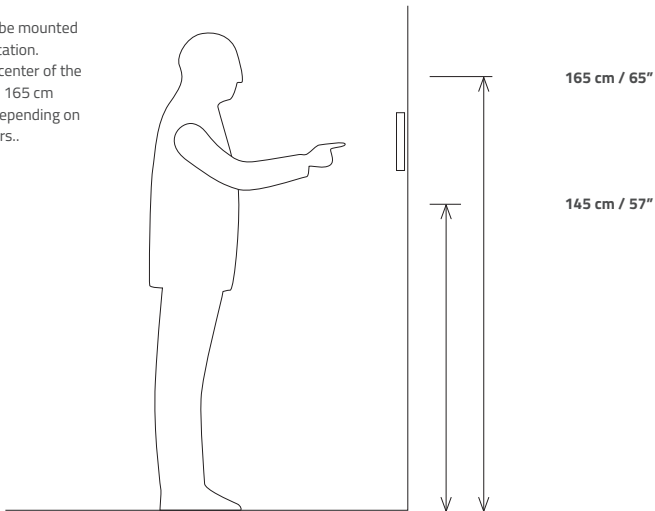


1

Recommended position

The controller is designed to be mounted onto a wall in a vertical orientation.

We recommend locating the center of the controller between 145 cm – 165 cm (57" – 65") above the floor depending on the height of your typical users..

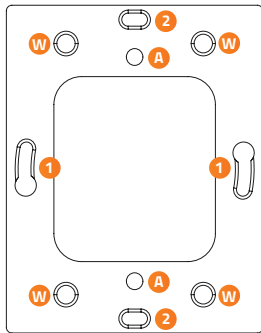


2 Bracket details

The controller is designed for mounting onto either a 1-gang electrical box based on EU standards or a DK 1,5M (LK FUGA Air only). It can also be mounted directly onto the wall without any electrical box.

When using EU or DK electrical boxes, attach the mounting bracket by using the dedicated holes and screws for the specific type of electrical box that you have.

A 1-gang US electrical box mounting option is available as an accessory.



1 EU 1-gang electrical box

W Holes for mounting directly onto the wall

2 DK 1,5M electrical box

A Alignment holes – do not insert screws here

3 Mounting the bracket

To mount the controller onto an electrical box, follow Step 1, which is illustrated on page 8 (DK) or 9 (EU).

If you are not mounting onto an electrical box, skip ahead to Step 2 to 5, which are shown on page 10 .

Before you start, make sure the wall itself is even to prevent any distortion of the bracket.

1 Mount the bracket onto the electrical box using the dedicated screws for the type of electrical box that you have (see page 6).

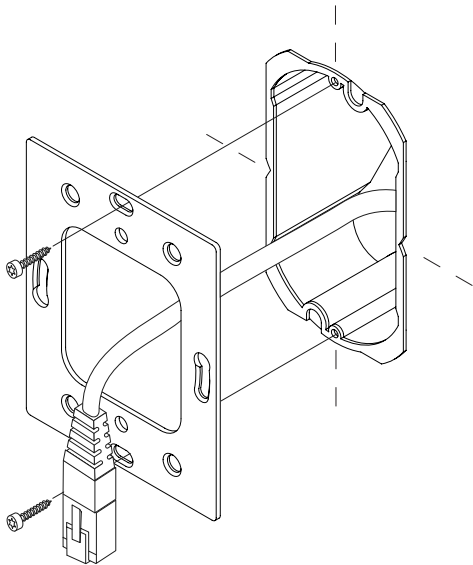
2 Level the bracket on the wall and mark the center of the bracket holes (W) on the wall.

3 Remove the bracket again.

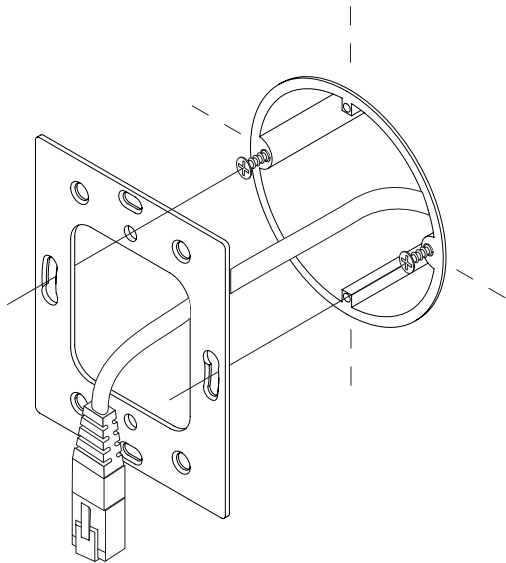
4 Drill and insert wall plugs.

5 Mount the bracket and tighten the screws into the wall.

**Mounting onto a DK 1,5M
electrical box (LK FUGA Air)**

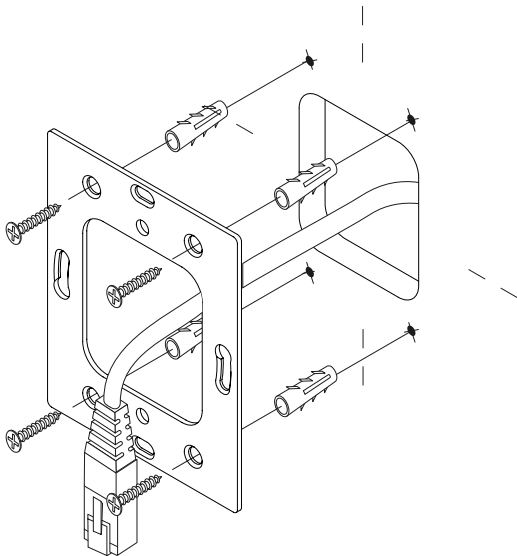


**Mounting onto an EU
1-gang electrical box**



**Mounting directly onto
the wall.**

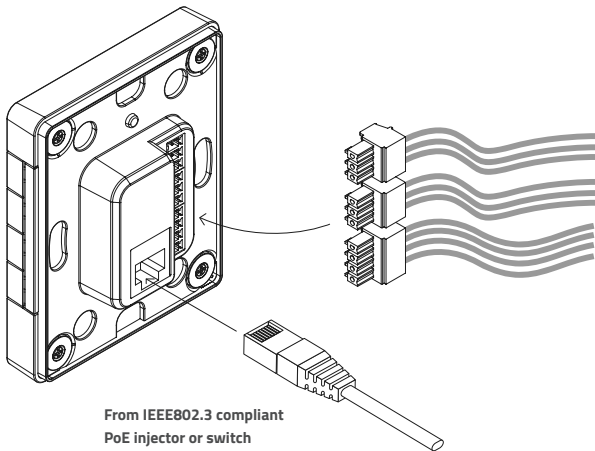
**Cutout in the wall must be
at least 45 x 45 mm
(1,8" x 1,8")**



4

Powering the Controller

Connect the PoE cable (and terminal connectors if they are a part of the installation) from the wall to the controller.

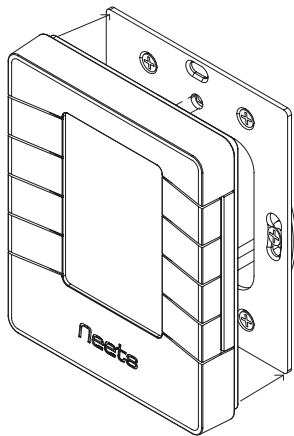


5 Mounting the Controller on the bracket

Put the controller on top of the bracket.

Make sure the controller is lined up correctly and ensure that the alignment holes are free so that all four magnets are able to connect.

To remove the controller, use both hands to grasp the controller on each side and pull it straight out from the wall.



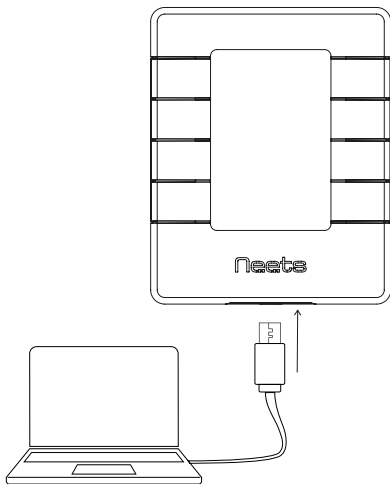
7 Uploading a Project File

First, connect the controller to your PC using a USB cable.

Now, using the Neets Project Designer software, you can upload a projectfile directly to the controller.

For more information about Neets Project Designer, visit:

www.neets.dk/product/neets-project-designer/



Learn more at neets.dk

Visit our website neets.dk for additional information about the product and the latest firmware.